



**HIGH PERFORMANCE**  
SMOKE ALARMS

# DATA SHEET

# GTRFM

Wireless Module



- ✓ Compatible with GT mains powered alarms
- ✓ Wireless interconnected with maximum of 24
- ✓ GT RF devices
- ✓ RF mesh interconnected architecture
- ✓ Simple plug in module design
- ✓ Powered from Alarm head

## SYSTEM OVERVIEW

The product is an optional add-on wireless interconnected module for the GT mains-powered alarm units. It enables the Alarm to communicate wirelessly with other GT devices. Up to 24 devices can be interconnected.

## TECHNICAL SPECIFICATION

### Working Principle

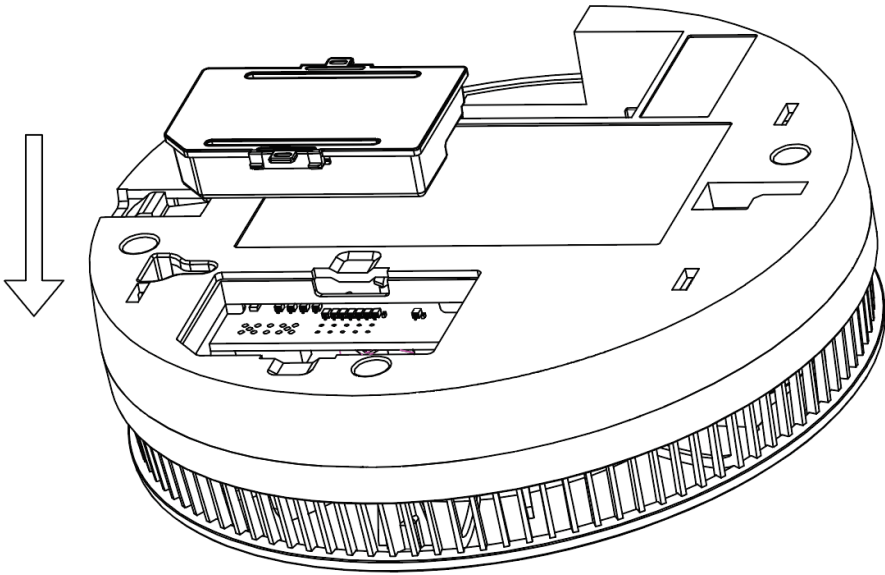
Power Supply	Powered from Alarm
RF Range	A minimum of 100 metres in free space
RF Visual Indicator	Flashing Red: RF transmission Flashing Blue: Successfully interconnected

RF Frequency	925MHz
Interconnect	Up to 24 GT RF devices
Operating Temperature	-10°C to +55°C (+14°F to +131°F)
Operating Humidity	925MHz
Color	Up to 24 GT RF devices
Casing	-10°C to +55°C (+14°F to +131°F)
Dimensions	53.5 mm × 38.2 mm × 11.7 mm (2.11" × 1.50" × 0.46")
Weight	11.9 g (0.03 lb)
Compliance Standard	AS/NZS 4268:2017

## ORDERING INFORMATION

Type	Model Number	Description
Wireless Module	GTRFM	Wireless Module

# INSTALLATION



# DIMENSIONS (MM/INCH)

